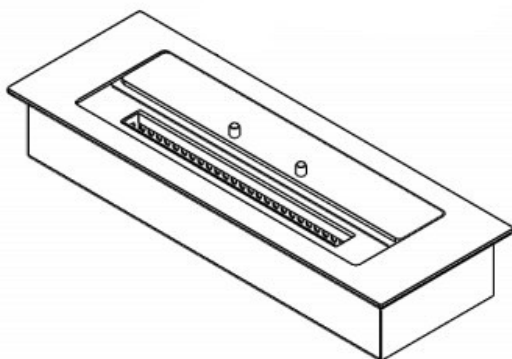


CACHPejse

In collaboration with Bio Fireplace Group

ENGLISH

User manual and safety instructions



DK – Brugervejledning og sikkerhedsanvisninger

SE – Användarmanual och säkerhetsinstruktioner

NO – Brukerhåndbok og sikkerhetsinstruksjoner

FI – Käyttöopas ja turvallisuusohjeet

DE – Bedienungsanleitung und Sicherheitshinweise

NL – Gebruikershandleiding en veiligheidsinstructies

PL – Podręcznik użytkownika i instrukcje bezpieczeństwa

FR – Guide de l'utilisateur et consignes de sécurité

ES – Guía del usuario e instrucciones de seguridad

ENGLISH

User manual and safety instructions for CACH ethanol fireplaces and burners.

Be sure to keep this user guide as long as the product is in your possession. If the product is resold the user guide must be included.

Bioethanol Fireplaces should ONLY be operated by responsible adults that have read and understood the safety instructions and guidelines in this user guide.

IMPORTANT

- CACH Ethanol Fireplaces are for decorative purpose only and are not recommended as a primary heating source. Review local legislation before use.
- Bioethanol is a hazardous substance at hazard level 3 according to UN 1987.
- Be sure to check national and / or regional regulations for safe storage of fuel.
- The use of CACH fireplaces for various purposes or as an open fireplace where flammable liquids or materials are used is not permitted.
- Manual operated ethanol fireplaces are extinguished with the flame snuffer.
- Automatic remote controlled ethanol fireplaces are extinguished using the remote-control or control panel.
- Do not overfill the ethanol burner – spillage of bioethanol can lead to flames spreading and becoming uncontrollable.
- Bioethanol spillage must be removed before fireplace ignition.
- The design of the ethanol burner must not be altered.
- NEVER refill bioethanol when the ethanol fireplace is in use or when the ethanol burner is still hot. Risk of explosion!
- The flames should never touch the inside of the insert.
- Avoid physical contact with bioethanol.
- Children must never be allowed to operate the ethanol fireplace
- People under the influence of alcohol, drugs or medication, or persons who are physically or mentally weakened must not operate the ethanol fireplace.
- Children and pets must always remain at a safe distance of the ethanol fireplace.
- The outer surface may become hot during use. Adequate attention is required when handling.
- Take extra care if you are wearing flammable clothing or if you have long hair.
- Do not blow air into the fire.
- Never leave an ignited burner unattended.
- Avoid placing flammable material, e.g. Paper, cardboard, fabric (clothes), etc. on, or around the ethanol fireplace and burner.
- Keep the opening of the ethanol burner closed when the appliance is not in use.
- Any use of an ethanol burner for burning anything but approved bioethanol is prohibited.
- Only use bioethanol with an alcohol percentage of at least 96% alcohol, but not more than 97,5% alcohol. We recommend our own bioethanol with an alcohol percentage of 96,6% alcohol.
- It is recommended to have a fire extinguisher or a fire blanket with in reach.
- Not suitable for continual use.
- Maintain a minimum safety clearance of 50 cm for combustible materials and at least 1 meter for curtains.



It is recommended to have easy access to a fire blanket



It is recommended to have easy access fire extinguisher



Designed for home decoration only



Read instructions before installation and use



Only use approved fuel as outlined within the user manual



May only be used in a ventilated room

MOUNTING AND INSTALLATION

General rules for installation

- A minimum of two people is recommended to mount and install the fireplace.
- Make sure that the wall / table / floor where the ethanol fireplace and burner is to be placed are heat resistant and capable of bearing the weight of the fireplace.
- Ensure that the bio fireplace is levelled, both horizontally and vertically. This ensures that no liquid will overflow the ethanol burner.
- Maintain a 1-meter clearance to other flammable items. Keep flammable items (e.g. curtains, furniture, or bookshelves) away from the fireplace.
- Do not place flammable objects on top of the appliance.
- Avoid placing the fireplace next to, under or on a window sill.
- To minimise presence of soot, keep the fireplace in a draft free room. It is however important to keep the fireplace in a well-ventilated space.

Installing a wall-mounted bioethanol fireplace

It is important to use the enclosed mounting bracket as it creates a safety clearance between the wall and the fireplace which ensures a natural airflow. The fittings may vary slightly depending on the fireplace model.

Course of action:

1. Install the top bracket first. It is recommended to screw it into the posts in the wall. If there are no posts, gypsum wall dowels may be used to mount the bracket. Make sure the fitting is levelled. Drill a hole in the wall. Insert dowels into the holes and screw the bracket to the wall.
2. If there are vertical brackets for your fireplace, they should be fitted now. Hang them on the horizontal bracket. You need to make sure that they are hanging levelled and mark where to drill. Drill holes in the wall and then tighten the vertical brackets to the wall.
3. The fireplace is ready to be hung on the wall. Make sure that the holes on the back of the fire-

- place grip into the hoops on the horizontal bracket and rest on the vertical brackets.
- Secure the fireplace to the vertical to the bracket by screwing them together on the underside of the fireplace.
 - Ensure that the fireplace is securely mounted on the wall before you add bioethanol.

Installing a ceiling-mounted bioethanol fireplace

It is important always to use the included ceiling mount. The fittings may vary slightly depending on the fireplace model.

Fremgangsmåde:

- Make sure that the ceiling can carry the weight of the fireplace.
- Attach the bracket to the ceiling.
- Attach the fireplace to the bracket.
- Ensure the the fireplace is securely mounted to the ceiling before adding bioethanol.

Installing a free-standing bioethanol fireplace

Almost all free-standing bioethanol fireplaces are fully assembled upon delivery. However, they may have a safety glass that needs to be fitted.

It is not recommended to place a free-standing ethanol fireplace directly on a carpet.

Fremgangsmåde:

- Unpack the fireplace and remove all packaging.
- If safety glass is included, install it in the fireplace.
- Place the ethanol fireplace where you want.
- Make sure the fireplace is stable before you add bioethanol.

Build your own fireplace with ethanol burner

The possibilities are many and only your imagination is the limit. However, we recommend that you use non-combustible materials and always keep a minimum distance around the ethanol burner:

- 50 cm free space over the burner.
- 5-10 cm on the right and left side of the burner.
- 10 cm in front and behind the burner.
- 1 meter to flammable materials

OPERATION OF THE BIOETHANOL FIREPLACE

Filling of bioethanol

NOTE: Filling and refilling of bioethanol can be extremely dangerous if you do not follow these instructions!

WARNING: Never pour bioethanol on an ignited ethanol fireplace.

WARNING: Allow the ethanol burner to cool down for a minimum of 15-20 minutes before refilling and preferably up to 30 minutes.

course of action

- Make sure that the ethanol fireplace is not turned on and that the burner is cool. If the burner needs to be refilled, wait a minimum of 15-20 minutes before refilling the ethanol burner.
- Go through the first step again to be 100% sure that the fireplace is completely extinguished and cool.
- When filling a manual burner, this is done directly via the opening of the burner. (Automatic burners have a separate tank) We recommend using either a funnel or a bioethanol pump, to avoid spillage of bioethanol.
- Slowly pour bioethanol into the burner, never let the bioethanol exceed the max. indicator.
- The ceramic filling in the burner will soak up the bioethanol.
- As soon as the ceramic cotton is saturated, and you can see liquid that does not get soaked up by the ceramic cotton, stop refilling.
- Check if there is bioethanol spillage next to the burner. If there is, this should be dried up immediately.
- Before the ethanol burner is ignited. Excess bioethanol should be packed up and put away.



Never overfill the ethanol burner



Never pour bioethanol on a burning flame



Never pour bioethanol into a hot ethanol burner

INFO ABOUT BIOETHANOL

Bioethanol spillage can cause matte stains on parquet floor.
Bioethanol must be stored at room temperature to prevent ignition.
Bioethanol must be stored at a safe distance of the bio fireplace.

Ignite the bioethanol fireplace

After the ethanol burner has been refilled in accordance with the guidelines outlining how to fill bioethanol, the burner is ready to be ignited.

Course of action:

- Ensure that there are no combustible materials near the fireplace.
- Open the burner by pushing the metal shutter away from the opening.
- Ignite the burner using a long lighter or match.

Adjusting the flame

The flame can be adjusted by moving the metal slider on top of the burner. If a smaller flame is desired, the metal slider must be pulled over the burner opening, thus reducing the size of the opening.

Smaller opening = Smaller flame
Larger opening = Larger flame

Note: Not all ethanol burners allow you to adjust the flame.

Turn off the bioethanol fireplace

WARNING: Never turn the flame off using water.

To turn off the bioethanol fireplace, the metal slider on top of the burner must be pulled over the fire to close the oxygen supply. The best way to do this is to fully open the burner and then quickly drag the metal slider over the opening of the burner opening, in one floating motion.

Maintenance

When the bio fireplace is frequently used, discoloration may occur on the upper side of the ethanol burner. This is normal and does not damage the quality of the product. Avoid using abrasive products for cleaning the bio fireplace and ethanol burner. Clean the surface with a damp cloth or non-abrasive stainless-steel cleaner. Glass can be cleaned using cleaning products for ceramic kitchen stoves.

Ventilation of the room

When a bioethanol fireplace is used in enclosed spaces, adequate ventilation should be provided. This can be achieved by opening a window or by a ventilation system.

In addition, there are several requirements in relation to room size versus the size of the ethanol burner. See table below:

Burner width	Room size
30-45 cm.	20-25 m ²
60-90 cm.	35 m ²
100-120 cm.	40 m ²
150 cm.	45 m ²
180 cm.	50 m ²

Table top and wall-mounted fireplaces with small burners can be used in rooms that are less than 25m².

In the chart above the ceiling height have not been considered. In rooms with greater ceiling height, the room size advised can be reduced.

If you have any further questions regarding room size and ethanol fireplaces, please contact your fireplace dealer.

TROUBLESHOOTING

Problem	Possible cause	Solution
Occurrence of soot.	Incorrect fuel.	Only use bioethanol with 96-97,5% alcohol.
Occurrence of soot.	The burner opening is covered with decoration material.	Remove the decorative material from the burner opening.
Burn time is too short.	Incorrect fuel.	Only use bioethanol with 96-97,5% alcohol.
Burn time is too short.	The fireplace is exposed to draft.	Move the fireplace and/or prevent draft.
Flames are too high	Incorrect fuel or draft.	Only use bioethanol with 96-97,5% alcohol. Prevent draft!
Flames are blue / not visible.	Bioethanol fuel is running low.	Turn off the burner. Let it cool down for a minimum of 15-20 minutes and refill the burner.
The flames are still burning after the lid is closed.		Open the lid, and close it again quickly, to close the oxygen supply.

WARRANTY

Your CACH ethanol fireplace has a one-year warranty against manufacturing defects starting on the date of purchase. In case of problems, contact your dealer.

The warranty is only valid if a dated proof of purchase can be presented and is strictly limited to recognized defective parts.

In case of damage installation costs will not under any circumstances, be refunded. The manufacturer can not be held liable for direct or indirect defects caused to persons and property.

The warranty will be cancelled if the fireplace has been abused or used for purposes other than the one to which they have been manufactured. The warranty will also be waived in case of deterioration or accident occurring after negligence, poor maintenance or altering of parts.

Brugervejledning og sikkerhedsanvisninger til brug af CACH bioethanol pejse og brandkar.

Sørg for at gemme denne brugervejledning, så længe produktet er i brug. Ved videresalg af produktet skal denne brugervejledning medfølge.

Biopejse bør kun anvendes af voksne, som er kompetente og har læst og forstået sikkerhedsanvisningerne og retningslinjerne i denne brugervejledning.

VIGTIGT

- CACH biopejse er kun beregnet til dekorative formål og anbefales ikke som primær opvarmingskilde. Kontroller den lokale lovgivning inden ibrugtagning.
- Bioethanol er et farligt stof på fareniveau 3 ifølge UN 1987.
- Sørg for at kontrollere de nationale og/eller regionale lovbestemmelser om sikker opbevaring af brændstof.
- Brugen af CACH biopejse til forskellige formål eller som åbent ildsted, hvor der anvendes brændbare væsker eller materialer, er ikke tilladt.
- Manuelle brandkar slukkes ved hjælp af rillen på oversiden.
- Automatiske brandkar slukkes ved hjælp af fjernbetjening eller kontrolpanel.
- Overfyld aldrig biopejsens brandkar – spildt bioethanol kan fremkalde ukontrollerbare flammer.
- Spildt bioethanol skal fjernes, før brandkarret tændes.
- Brandkarrets konstruktion må ikke ændres
- Påfyld aldrig bioethanol imens biopejsen er tændt eller brandkarret stadig er varmt. Risiko for eksplosion!
- Flammerne må aldrig berøre indersiden indsatsen.
- Undgå fysisk kontakt med bioethanol.
- Børn og personer, der er påvirket af alkohol, stoffer eller medicin, eller personer, som er fysisk eller psykisk svækkede må ikke betjene biopejsen.
- Hold børn og kæledyr på sikker afstand.
- Yderfladerne kan blive varme under brug. Tilstrækkelig opmærksomhed er påkrævet.
- Vær ekstra forsigtig med langt hår og brændbart tøj.
- Undgå at blæse ind i ilden.
- Forlad aldrig brænderen uden opsyn.
- Undgå at placere brændbart materiale, f.eks. papir, karton, stof (tøj) osv. på eller omkring biopejsen og brandkarret.
- Hold rillen i brandkarret lukket, når biopejsen ikke er i brug.
- Enhver brug af brandkarret til afbrænding af nogen for materiale ud over godkendt bioethanol er forbudt.
- Der bør udelukkende benyttes bioethanol med en alkohol procent på minimum 96% alkohol, dog højst 97,5%. Vi anbefaler vores eget bioethanol med en alkoholprocent på 96,6% alkohol.
- Det anbefales at have en brandslukker eller brandtæppe inden for rækkevidde.
- Ikke egnet til kontinuerlig drift.
- Oprethold en sikkerhedsafstand på minimum 50 cm til brændbare materialer og minimum 1 meter til gardiner.



Det anbefales at have et brændtæppe



Det anbefales at have en brandslukker



Læs vejledningen inden installation og brug



Anvend kun bioethanol i henhold til brugervejledningen



Kun beregnet til dekoration og brug i hjemmet



Må kun anvendes i et ventileret rum

MONTERING OG INSTALLATION

Generelle regler for installation

- Det anbefales, at man er mindst to eller flere personer til at installere og montere pejsen.
- Kontroller, at væggen/bordet/gulvet, hvor biopejsen og brandkarret placeres, er varmeresistent og i stand til at bære pejsets vægt.
- Kontroller, at biopejsen er i vater, både vandret og lodret. Dermed sikrer du, at der ikke flyder væske ud af brandkarret.
- Oprethold en sikkerhedsafstand på 1 meter til andre brændbare genstande. Hold brændbare genstande (f.eks. gardiner, møbler, eller boghylder) væk fra pejsen.
- Undgå at placere brændbare genstande ovenpå apparatet.
- Undgå at placere biopejsen ved siden af, under eller på en vindueskarm.
- Biopejsen bør kun anvendes i et rum uden træk, ellers kan der forekomme soddannelse. Det er midlertidigt vigtigt stadig at have tilførsel af frisk luft til rummet.

Installation af væghængt biopejs

Det er vigtigt altid at benytte det medfølgende vægbeslag, da det skaber en sikkerhedsafstand mellem væg og pejs, med henblik på at sikre en naturlig luftgennemstrømning. Beslagene kan variere en smule alt afhængig af biopejs model.

Fremgangsmåde:

1. Monter det øverste beslag først. Det anbefales at skrue det ind i stolperne i væggen. Hvis der ikke er stolper, kan der med fordel bruges gipsvæg rawlplugs til montering af beslaget.
2. Sørg for at beslaget er i vater. Bor herefter hul i væggen. Sæt rawlplugs ind i hullet og skru nu beslaget fast.
3. Medfølger der lodrette beslag til din pejs, skal de monteres nu. Hæng dem på det vandrette beslag. Du skal sikre dig, at de hænger i vatter og afmærk, hvor der skal bores. Bor hul og skru efterfølgende de lodrette beslag fast til væggen.

- Nu kan biopejsen hænges på væggen. Sørg for, at hullerne på bagsiden af pejsen griber fast i krogene på det vandrette beslag og hviler på det lodrette beslag.
- Fastgør nu pejsen til de lodrette beslag ved at skrue dem sammen på undersiden af pejsen.
- Sørg for at pejsen er sikkert monteret på væggen, før du påfylder bioethanol.

Installation af lofthængt biopejs

Det er vigtigt altid at benytte det medfølgende loftbeslag. Beslagene kan variere en smule alt afhængig af biopejs model.

Fremgangsmåde:

- Sørg for, at loftet kan bære vægten af pejsen.
- Fastgør beslaget til loftet.
- Fastgør pejsen til beslaget.

Installation af fritstående biopejs

Næsten alle fritstående biopejsen er fuldt samlet ved levering. De kan dog have sikkerhedsglas, der skal monteres.

Det anbefales ikke at placere en fritstående biopejs direkte på et gulvtæppe.

Fremgangsmåde:

- Pak biopejsen ud og fjern alt emballage.
- Monter evt. sikkerhedsglas
- Placer biopejsen på det udtænkte sted.

Installation af bioethanol brandkar

Mulighederne er mange og kun fantasien sætter grænsen. Vi anbefaler dog, at man benytter sig af ikke-brandbare materialer og altid holder en minimumsafstand rundt om brandkarret:

- 50-60 cm frirum over brandkarret.
- 5-10 cm på højre og venstre side af brandkarret.
- 10 cm foran og bag brandkarret.
- 1 meter til brandbare materialer

BETJENING AF BIOPEJSEN

Påfyldning af bioethanol

OBS: Påfyldning og genopfyldning af bioethanol kan være ekstremt farligt, hvis man ikke følger disse anvisninger!

ADVARSEL: Hæld aldrig bioethanol på en tændt biopejs!

ADVARSEL: Lad brandkarret afkøle i minimum 15-20 minutter før genopfyldning og meget gerne helt op til 30 minutter!

Fremgangsmåde:

- Sørg for, at brandkarret ikke er tændt og at brandkarret ikke er varmt. Skal brandkarret genopfyldes efter at det lige har været tændt, bør man minimum vente i 15-20 minutter, inden man genopfylder brandkarret.
- Tjek punkt 1 endnu engang, for at være 100% sikker på at brandkarret er fuldstændigt slukket og ikke er varmt.
- Påfyldning af bioethanol sker direkte ned i brandkarrets åbning. Vi anbefaler, at der anvendes enten en tragt eller en bioethanol pumpe, for på den måde ikke at spilde ved siden af brandkarret.
- Fyld langsomt bioethanol i brandkarret, sådan at bioethanolen aldrig oversiger max. indikatoren.
- Det keramiske fyld i brandkarret vil opsuge bioethanolen.
- Så snart det keramiske vat er mættet og du begynder at kunne se væske, der ikke bliver suget op af det keramiske vat, bør påfyldningen standses.
- Tjek om der er spildt bioethanol ved siden af brandkarret. Er der det, skal dette tørres op med det samme.
- Inden brandkarret tændes. Bør overskydende bioethanol pakkes sammen og stilles væk.



Overfyld aldrig brandkarret



Hæld aldrig bioethanol på et tændt brandkar



Hæld aldrig bioethanol på et varmt brandkar

VIGTIG INFO ANGÅENDE BIOETHANOL

**Spildt bioethanol kan føre til matte pletter på parketgulv.
Bioethanol skal opbevares ved stuetemperatur for at forhindre antændelse.
Bioethanol skal opbevares i sikker afstand fra biopejsen.**

Tænd biopejsen

Efter at brandkarret er blevet fyldt op, som beskrevet i *Påfyldning af bioethanol* er brandkarret klar til at blive tændt.

Fremgangsmåde:

- Sørg for, at der ikke er nogle brandbare materialer i nærheden af biopejsen.
- Åben brandkarret, ved at skubbe metalskyderen væk fra åbningen.
- Antænd brandkarret med en lang lighter eller tændstik.

Juster flammen

Flammen kan justeres ved at flytte på metalskyderen, der ligger hen over brandkarret. Ønskes en mindre flamme skal metalskyderen trækkes hen over brandkarrets åbning og dermed gøre åbningen mindre.

Mindre åbning = Mindre flamme
Større åbning = Større flamme

OBS: Det er ikke alle brandkar, der giver mulighed for at justere flammen.

Sluk biopejsen

ADVARSEL: Sluk aldrig flammen med vand!

For at slukke biopejsen skal metalskyderen, der ligger oven på brandkarret, trækkes hen over ilden for at lukke for ilttilførslen.

Den bedste måde at gøre dette på, er ved at åbne helt for brandkarret og derefter hurtigt at trække metalskyderen hen over brandkarrets åbning i én flydende bevægelse.

Vedligeholdelse

Når brandkarret bliver hyppigt anvendt, kan der opstå misfarvninger på oversiden af brandkarret. Det er normalt og skader ikke kvaliteten af produktet. Undgå at bruge slibende produkter til rengøring af brandkar og biopejsen. Rengør overfladen med en fugtig klud eller et ikke-slibende rengøringsmiddel til rustfrit stål. Evt. glas kan rengøres med et renseprodukt til keramiske komfurer.

Ventilation af rummet

Når en biopejs anvendes i lukkede rum, skal der sørges for tilstrækkelig ventilation. Evt. ved at åbne et vindue eller ved at have et ventilationsanlæg.

Desuden er gælder der en række krav i forhold til rumstørrelse kontra størrelse på brandkar. Se skemaet herunder.

Brandkar bredde	Rumstørrelse
30-45 cm.	20-25 m ²
60-90 cm.	35 m ²
100-120 cm.	40 m ²
150 cm.	45 m ²
180 cm.	50 m ²

Bordpejs og væghængte pejs med små brandkar kan benyttes i rum, der er mindre end 25 m².

Der er i skemaet ikke taget højde for lofthøjde. Så har du fx meget højt til loftet kan rumstørrelsen sænkes.

Har du yderligere spørgsmål i forhold til rumstørrelse og biopejs, bedes du kontakte din forhandler.

FEJLFINDING

Problem	Mulig årsag	Løsning
Forekomst af sod.	Forkert brændstof.	Brug kun bioethanol med 96-97,5% alkohol.
Forekomst af sod.	Brænderåbningen er tildækket af dekorationsmateriale.	Fjern dekorationsmateriale fra brænderåbning.
Brændetid er for kort.	Forkert brændstof eller ikke fyldt hel op.	Brug kun bioethanol med 96-97,5% alkohol.
Brændetid er for kort.	Biopejsen står i træk.	Flyt biopejsen eller undgå træk.
Flammerne er for høje.	Forkert brændstof eller træk.	Brug kun bioethanol med 96-97,5% alkohol og undgå træk.
Flammerne er blå / ikke synlige.	Bioethanolen er næsten opbrugt.	Sluk brænderen. Lad den købe af i mindst 15-20 minutter og påfyld igen.
Flammerne er der stadig efter rillen er lukket.		Åben rillen, og luk den hurtigt igen for at afbryde ilttilførslen.

GARANTI

Din biopejs har et års garanti mod fabrikationsfejl, der begynder på datoen for købet. I tilfælde af problemer skal du kontakte din forhandler.

Garantien gælder ved fremvisning af dateret faktura og er strengt begrænset til anerkendt defekt del.

Installationsomkostninger kan ikke, under nogen omstændigheder, refunderes ved skader. Producenten kan ikke holdes ansvarligt for direkte eller indirekte defekt forårsaget mod person eller ejendom.

Garantien vil blive annulleret, hvis pejsen er blevet misbrugt eller anvendt til at andet formål end det, de er blevet produceret til. Garantien vil også blive annulleret i tilfælde af forringelse eller ulykke, der forekommer efter omsorgssvigt, dårlig kontrol eller ændrede dele.

Användarmanual och säkerhetsinstruktioner för CACH etanolaminer och brännare.

Behåll denna användarmanual så länge du äger produkten. Om du säljer produkten måste du inkludera användarmanualen.

Bioetanol-kaminer ska endast hanteras av ansvarsfulla, vuxna personer som har läst och förstått säkerhetsinstruktionerna och riktlinjerna i enlighet med denna användarmanual.

VIKTIGT

- CACH Etanolaminer är endast för dekorativt syfte och är inte rekommenderade som primära värmekällor. Kontrollera de lokala reglerna innan användning.
- Bioetanol är en farlig vätska som enligt UN 1987 ligger på farlighetsnivå 3.
- Kontrollera nationella och regionala förordningar för säker förvaring av bränsle.
- Användning av CACH kaminer för andra användningsområden samt som en öppen eld där användning av lättantändliga vätskor eller material används är inte tillåtet.
- Manuellt opererade etanolaminer släcks med eld-kväve.
- Automatiska, fjärrstyrda etanolaminer släcks med hjälp av fjärrkontroll eller kontrollpanel på kaminen.
- Överfyll inte etanolbrännaren; bioetanol-spill kan leda till att lågorna sprids och blir okontrollerbara.
- Bioetanol-spill måste torkas upp innan tändning.
- Designen av bioetanolbrännare får inte modifieras.
- Fyll ALDRIG på bioetanol när etanolkaminen är i användning eller när den är varm då detta innebär explosionsrisk!
- Flammor får aldrig röra insidan av insatsen.
- Undvik kontakt med bioetanol.
- Barn får aldrig använda etanolkaminen
- Använd inte etanolkamin under alkohol, och/eller drogpåverkan, eller vid användning av medicin. Personer som är fysiskt eller psykiskt svaga bör inte använda etanolkaminen.
- Barn och husdjur måste alltid vistas på ett säkert avstånd från etanolkaminen.
- Den yttre ytan kan bli varm vid användande. Adekvat uppmärksamhet krävs vid hantering.
- Var extra försiktig om du har brandfarliga kläder eller långt hår.
- Blås inte luft på elden.
- Lämna aldrig en tänd brännare utan uppsikt.
- Undvik att lämna brandfarliga material så som papper, tyg, kartong etc. på, eller i närheten av etanolkaminen och brännaren.
- Öppningen på etanolbrännare måste hållas stängd när den inte används.
- Etanolkaminen får endast användas med godkända bränslen.
- Använd endast bioetanol med ett minimum av 96% alkohol, men inte med högre alkoholinnehåll än 97,5%. Vi rekommenderar vår egen bioetanol med 96,6% alkoholinnehåll.
- Det är rekommenderat att ha brandsläckare eller brandfilt inom räckhåll.
- Inte lämplig för konstant bruk.
- Bibehåll ett säkert avstånd på minst 50 cm från lättantändliga material och minst 1 meter från gardiner.



Det är rekommenderat att ha en brandfilt nära till hands



Det är rekommenderat att ha tillgång till en brandsläckare



Endast tillverkad för hemdekoration



Läs instruktionerna före installation och användning



Använd endast godkänt bränsle som beskrivs i användarmanualen.



Får endast användas i välventilerade rum.

MONTERING OG INSTALLATION

Generella regler för installation

- Ett minimum av två personer rekommenderas för montering och installation av kaminen.
- Försäkra dig om att vägg/ bord/ golv där etanolkamin och brännare placeras är värmeresistent och kapabel att bära kaminens vikt.
- Säkerställ att biokaminen hänger jämnt både horisontellt och vertikalt. Detta säkerställer att ingen vätska kommer att överflöda kanterna på etanolbrännaren
- Upprätthåll ett avstånd på en meter i förhållande till andra lättantändliga material. Placera eldstaden på avstånd från lättantändliga material såsom gardiner, möbler och bokhyllor.
- Placera inte lättantändliga föremål ovanpå kaminen.
- Undvik att placera kaminen bredvid, under eller på ett fönsterbräde.
- För att minimera förekomsten av sot förvara kaminen i ett dragfritt rum. Det är dock viktigt att placera kaminen i ett välventilerat utrymme.

Installation av väggmonterad bioetanolkamin

Det är viktigt att använda bifogat väggfäste eftersom det skapar ett säkerhetsavstånd mellan vägg och kamin som säkerställer ett naturligt luftflöde.

Tillvägagångsätt:

1. Installera den övre väggfästet först. Det är rekommenderat att skruva fast det i väggens regler. Om det inte finns några regler kan gipspluggar användas för att montera fästet. Säkerställ att passningen är vägrät. Borra hål i väggen. För in pluggarna i hålen och skruva fast konsolen på väggen.
2. Om din eldstad har vertikala väggfästen ska de fästas nu. Häng dem på de horisontella väggfästena. Försäkra dig om att de är raka och markera var du ska borra. Borra hål i fäst eldstaden på det vertikala fästet genom att skruva ihop dem på undersidan av eldstaden.
3. Försäkra dig om att eldstaden är monterad på ett säkert sätt på väggen innan du tillsätter bioetanol.

- väggen och fäst de vertikala fästena på väggen.
- Nu är eldstaden klar för upphängning. Försäkra dig om att hålen på baksidan av eldstaden fäster i öglorna på det horisontella väggfästet och vilar på det vertikala väggfästet.

Installation av takmonterad bioetanol kamin

Det er vigtigt altid at benytte det medfølgende loftbeslag. Beslagene kan variere en smule alt afhængig af biopejs model.

Tillvägagångssätt:

- Försäkra dig om att taket håller för eldstadens vikt.
- Fäst konsolen i taket.
- Fäst eldstaden på konsolen.
- Försäkra dig om att eldstaden är säkert monterad i taket innan du tillsätter bioetanol.

Installation av fristående bioetanol kaminer

Så gott som alla fristående bioetanol kaminer är monterade vid leverans. Det kan dock finnas ett säkerhetsglas som behöver installeras i kaminen.

Det är inte rekommenderat att placera en fristående kamin direkt på en matta.

Tillvägagångssätt:

- Packa upp eldstaden och plocka undan allt emballage.
- Om säkerhetsglas ingår, installera det i kaminen.
- Placera etanol kaminen där du önskar.
- Försäkra dig om att kaminen står stabilt innan du tillsätter bioetanol.

Bygg din egen kamin med etanolbrännare.

Möjligheterna är oändliga, din fantasi är den enda begränsningen. Vi rekommenderar dock att du använder material som inte är brännbara och håller det rekommenderar avståndet mellan brännare och kamin:

- 50 cm fritt utrymme ovanför brännaren.
- 10 cm fritt utrymme på var sida om brännaren.
- 10 cm utrymme framför och bakom brännaren.
- 1 meter för brännbara material.

ANVÄNDNING AV BIOETANOLKAMINEN

Påfyllnad av bioetanol

OBSERVERA: Fyllning och påfyllning av bioetanol kan vara extremt farligt om du inte följer instruktionerna!

VARNING: Häll aldrig bioetanol i en redan tänd etanol kamin.

VARNING: Låt etanolbrännaren svalna i minst 15-20 minuter, helst 30 minuter innan du återfyller.

Tillvägagångssätt:

- Försäkra dig om att etanol kaminen inte är igång och att brännaren är sval. Om brännaren behöver påfyllning vänta minst 15- 20 minuter innan du fyller på den.
- Gå igenom första steget ytterligare en gång för att vara 100% säker på att brännaren är släckt och sval.
- På en manuell brännare görs påfyllningen direkt via öppningen i brännaren (automatiska brännare har en separat behållare). Vi rekommenderar antingen tratt eller bioetanol pump för att undvika spill.
- Häll i bioetanol långsamt, låt aldrig bioetanol överstiga max-indikatorn.
- Den keramiska bomullen kommer att suga åt sig bioetanol.
- Så fort den keramiska bomullen är mättad och du kan se att vätskan inte längre sugts upp av bomullen ska du sluta fylla på.
- Kontrollera att de inte finns bioetanol spill runt brännaren. Om det finns spill ska det torkas bort omedelbart.
- Innan etanolbrännaren tänds ska överbliven bioetanol packas ihop och ställas undan.



Överfyll aldrig en etanolbrännare



Häll aldrig bioetanol på en brinnande flamma



Häll aldrig bioetanol i en het etanolbrännare

INFORMATION OM BIOETANOL

Bioetanol spill kan orsaka matta fläckar på parkettgolv.
Bioetanol måste förvaras i rumstemperatur för att förebygga antändning.
Bioetanol måste förvaras på säkert avstånd från bioetanol kamin.

Tändning av bioetanol kamin

Efter att bioetanolbrännaren blivit påfylld i enlighet med föreskrifterna "hur man påfyller bioetanol" är brännaren redo att tändas.

Tillvägagångssätt:

- Försäkra dig om att det inte finns lättantändliga material nära eldstaden.
- Öppna brännaren genom att flytta metalluckan från öppningen.
- Tänd brännaren genom att använda braständare eller braständstickor.

Justering av flamman

Flamman kan justeras genom att flytta metallreglaget på ovansidan av brännaren. Om man önskar en mindre flamma måste reglaget dras över brännarens öppning för att på det viset minska öppningens storlek.

Mindre öppning = Mindre flamma
Större öppning = Större flamma

Observera: Vissa etanolbrännare tillåter inte justering av flamman.

Etanolkaminen avstängning

VARNING: Släck aldrig lågan med vatten.

För att stänga av bioetanolaminen måste metallreglaget ovanpå brännaren dras för så att syretillförseln stängs av. Bästa sättet att göra detta är att öppna brännaren helt och sedan snabbt dra metallreglaget över öppningen i en flytande rörelse.

Underhåll

Om biokaminen används regelbundet kan missfärgning uppstå på etanolbrännarens ovansida. Detta är normalt och påverkar inte produktens kvalitet. Undvik användning av slipande produkter när du rengör biokaminen och etanolbrännaren. Rengör ytan med en fuktig trasa eller rengöringsmedel för rostfritt stål som inte innehåller slipmedel. Glaset kan rengöras med produkter avsedda för glaskeramikhållar.

Rumsventilation

När en bioetanolamin används i instängda utrymmen bör man ha god ventilation. Detta kan uppnås genom att öppna ett fönster eller genom ventilationssystem.

Dessutom finns ett antal krav beroende på rumsstorlek kontra storleken på etanolbrännaren. Se förteckning nedan:

Brännarbredd	Rumsstorlek
30-45 cm.	20-25 m ²
60-90 cm.	35 m ²
100-120 cm.	40 m ²
150 cm.	45 m ²
180 cm.	50 m ²

Bordskaminer och väggmonterade kaminer med små brännare kan användas i rum som är under 25m².

I tabellen ovan har i takhöjd inte tagits med i beräkningen. I rum med högre takhöjd kan den rekommenderade rumsstorleken minskas. Om du har ytterligare frågor angående rumsstorlek och etanolkaminer var god kontakta din kaminåterförsäljare.

FELSÖKNING

Problem	Möjlig orsak	Lösning
Förekomst av sot	Felaktigt bränsle	Använd endast bioetanol med 96-97,5% alkohol
Förekomst av sot	Brännarens öppning är täckt med dekorationsmaterial	Avlägsna det dekorativa materialet från öppningen
Förkortad bränntid	Felaktigt bränsle	Använd endast bioetanol med 96-97,5% alkohol
Förkortad bränntid	Kaminen är utsatt för drag	Flytta kaminen och/ eller förhindra drag
För höga lågor	Felaktigt bränsle eller drag	Använd bioetanol med 96-97,5% alkohol. Förhindra drag!
Blåa eller osynliga lågor	Bioetanolen är på väg att ta slut	Stäng av brännaren. Låt den kallna i 15-20 minuter och fyll på brännaren
lågorna brinner fortfarande när locket är stängt		Öppna locket, stäng det snabbt igen för att stänga av syretillförseln

GARANTI

Din CACH etanolamin har ett års garanti mot fabriksdefekter som inleds den dagen köpet genomförs. Vid problem, kontakta din återförsäljare.

Garantin är giltig enbart då daterat bevis på köpet kan presenteras och är strikt begränsade till erkänt defekta delar.

Vid skada kommer installationskostnader inte att återbetalas under några omständigheter. Tillverkaren kan inte hållas ansvarig för direkta eller indirekta defekter som drabbar person eller egendom.

Garantin kommer att upphävas om kaminen har blivit misskött eller använts för syften andra än vad den har tillverkats för. Garantin kommer också att återkallas om förslitning eller olycka uppstår efter försumlighet, dålig skötsel eller förändring av kaminens delar.

Brukermanual og sikkerhetsinstruksjoner for CACH etanol peiser og brennere.

Ta vare på denne brukermanualen så lenge produktet er i din besittelse. Der som produktet videreselges må brukerhåndboken følge salget.

Bioetanol Peiser bør KUN brukes av ansvarlige voksne som har lest og forstått sikkerhetsinstruksjonene og anvisningene i denne brukerhåndboken.

VIKTIG

- CACH Etanol Peiser er hovedsakelig til dekorasjon og anbefales ikke som hovedkilde til oppvarming. Sjekk lokale regler før bruk.
- Bioetanol er et farlig stoff på farenivå 3 i henhold til UN 1987.
- Pass på å sjekke nasjonale og/ eller regionale regler for sikker oppbevaring av drivstoff.
- Bruk av CACH peiser til andre formål eller som åpen peis der brennbare væsker eller materialer brukes er ikke tillatt.
- Manuelt betjente etanolpeiser slukkes med flammeslukeren.
- Automatiske fjernstyrte etanolpeiser slukkes ved bruk av fjernkontrollen eller kontrollpanelet.
- Ikke overfyll etanolbrenneren – bioetanolsøl kan føre til spredning av flammer og kan bli ukontrollerbare.
- Bioetanolsøl må fjernes før peisen tennes.
- Utformingen av etanolbrenneren må ikke endres.
- Fyll ALDRI bioetanol mens etanolpeisen er i bruk eller så lenge etanolbrenneren fortsatt er varm. Risiko for eksplosjon!
- Flammene bør aldri berøre innsiden av innsatsen.
- Unngå fysisk kontakt med bioetanol.
- Barn må aldri få lov til å betjene etanolpeisen.
- Mennesker som er påvirket av alkohol, stoff eller medisiner, eller personer som er fysisk eller mentalt svekket må ikke betjene etanolpeisen.
- Barn og kjæledyr må alltid holde seg på sikker avstand fra etanolpeisen.
- Yttersiden kan bli varm under bruk, adekvat oppmerksomhet kreves ved håndtering.
- Vær ekstra forsiktig dersom du har på deg brennbare klær eller dersom du har langt hår.
- Ikke blås luft inn i flammene.
- Aldri la en tent brenner være uten tilsyn.
- Unngå å plassere brennbare materialer. For eksempel papir, papp, stoff (klær) etc. på eller rundt etanolpeisen og brenneren.
- Hold åpningen på etanolbrenneren lukket når apparatet ikke er i bruk.
- All bruk av en etanolbrenner til å brenne noe annet enn godkjent bioetanol er forbudt.
- Bruk bare bioetanol med en alkoholprosent på minst 96% alkohol, men ikke mer enn 97,5% alkohol. Vi anbefaler vår egen bioetanol med en alkoholprosent på 96,6% alkohol.
- Det anbefales å ha en flammesluker eller et brannteppe innen rekkevidde.
- Ikke egnet for kontinuerlig bruk.
- Oppretthold en sikkerhetsavstand på minimum 50 cm for brennbare materialer og minst 1 meter for gardiner.



Det anbefales å ha enkel tilgang til et brannteppe



Det anbefales å ha enkel tilgang til brannslukningsapparat



Laget kun for hjemme-dekorasjon



Les instruksjonene før installasjon og bruk



Bruk kun godkjent drivstoff som beskrevet i brukerhåndboken



Kan kun brukes i et ventilert rom

MONTERING OG INSTALLASJON

Generelle regler for installasjon

- Det anbefales minst to personer for å montere og installere peisen.
- Forsikre deg om at veggen/ bordet/ gulvet der etanolpeisen og brenneren skal plasseres er varmebestandig og i stand til å bære vekten av peisen.
- Sørg for at biopeisen er nivellert, både horisontalt og vertikalt. Dette sikrer at ingen væske vil flyte over etanolbrenneren.
- Hold en 1 meters klaring til andre brennbare gjenstander. Hold brennbare gjenstander (for eksempel gardiner, møbler eller bokhyller) borte fra peisen.
- Ikke plasser brennbare gjenstander på toppen av apparatet.
- Unngå å plassere peisen ved siden av, under eller på en vinduskarm.
- Ha peisen i et trekkfritt rom for å minimere utvikling av sot. Det er imidlertid viktig å ha peisen på et godt ventilert sted.

Installasjon av veggmontert bioetanolpeis

Det er viktig å bruke den medfølgende monteringsbraketten da den lager en sikkerhetsavstand mellom veggen og peisen, noe som sikrer en naturlig luftstrøm. Armaturene kan variere noe avhengig av peismodellen.

Fremgangsmåte:

1. Monter toppbraketten først. Det anbefales å skru den inn i spikerslaget i veggen. Dersom det ikke finnes spikerslag kan man bruke gipsskruer til å montere braketten. Sørg for at beslaget er i vater. Bor et hull i veggen. Sett inn innsatsene i hullene og skru braketten i veggen.
2. Dersom det er vertikale braketter til peisen din skal disse monteres nå. Heng dem på den horisontale braketten. Du må sørge for de henger i vater og merk hvor du skal bore. Bor hull i veggen og skru de vertikale brakettene til veggen.
3. Peisen er klar til å henges på veggen. Pass på at hullene på baksiden av peisen griper i

- bøylene på den horisontale braketten og hviler på de vertikale brakettene.
- Sikre peisen vertikalt til braketten ved å skru dem sammen på undersiden av peisen.
 - Forsikre deg om at peisen er forsvarlig montert på veggen før du fyller på bioetanol.

Installasjon av takmontert bioetanolpeis

Det er alltid viktig å bruke det medfølgende takmonteringen. Beslagene kan variere noe avhengig av peisen modell.

Fremgangsmåte:

- Make sure that the ceiling can carry the weight of the fireplace.
- Attach the bracket to the ceiling.
- Attach the fireplace to the bracket.
- Ensure the the fireplace is securely mounted to the ceiling before adding bioethanol.

Installasjon av frittstående bioetanolpeiser

Nesten alle frittstående bioetanolpeiser er komplett montert før levering. Imidlertid kan de ha et sikkerhetsglass som må settes inn.

Det anbefales ikke å sette en frittstående bioetanolpeis direkte på et teppe.

Fremgangsmåte:

- Sjekk at taket kan bære vekten av peisen.
- Fest braketten i taket.
- Fest peisen i braketten.
- Forsikre deg om at peisen er forsvarlig montert i taket før fylling av bioetanol.

Bygg din egen peis med etanolbrenner

Mulighetene er mange og bare fantasien din setter grenser. Imidlertid anbefaler vi at du bruker ikke-brennbare materialer og alltid holder minste avstand rundt etanolbrenneren:

- 50 cm åpen plass over brenneren.
- 5-10 cm på høyre og venstre side av brenneren.
- 10 cm foran og bak brenneren.
- 1 meter til brennbare materialer.

DRIFT AV BIOETANOLPEISEN

Fylling av bioetanol

MERK: Fylling og etterfylling av bioetanol kan være ekstremt farlig dersom du ikke følger disse instruksjonene!

ADVARSEL: Hell aldri bioetanol på en antent etanolpeis.

ADVARSEL: La etanolbrenneren avkjøles i minst 15-20 minutter før etterfylling og helst opp mot 30 minutter.

Fremgangsmåte:

- Pass på at etanolpeisen er avslått og at brenneren er kald. Dersom brenneren trenger etterfylling, vent minst 15-20 minutter før etterfylling av etanolbrenneren.
- Gå gjennom punkt 1 igjen for å være 100% sikker på at peisen er fullstendig avslått og kald.
- Ved fylling av en manuell brenner gjøres dette direkte via brennerens åpning. (Automatiske brennere har en separat tank). Vi anbefaler bruk av enten en trakt eller en bioetanolpumpe for å unngå søling av bioetanol.
- Hell bioetanol sakte inn i brenneren, la aldri bioetanol nå opp til max-indikatoren.
- Den keramiske fyllingen i brenneren vil suge opp bioetanol.
- Stopp påfyllingen så snart den keramiske bomullen er mettet og du kan se væske som ikke suges opp av den keramiske bomullen.
- Sjekk om det er noe bioetanol søl ved siden av brenneren. Dersom det er det bør det tørkes opp umiddelbart.
- Overskytende bioetanol bør tørkes opp og legges bort før etanolbrenneren tennes.



Aldri overfyll etanolbrenneren



Hell aldri bioetanol på en brennende flamme



Hell aldri bioetanol inn i en varm etanolbrenner

INFORMASJON OM BIOETANOL

Søl av bioetanol kan forårsake matte flekker på parkettgulv.
Bioetanol må lagres ved romtemperatur for å forhindre antenning.
Bioetanol må oppbevares på sikker avstand fra biopeisen.

Tenning av bioetanolpeisen

Etter at etanolbrenneren er fylt i henhold til retningslinjene om hvordan man fyller bioetanol er brenneren klar til å tennes.

Fremgangsmåte:

- Påse at det ikke finnes brennbart materiale i nærheten av peisen.
- Åpne brenneren ved å skyve metallukkeren vekk fra åpningen.
- Tenn brenneren ved å bruke en lang lighter eller fyrstikk.

Justering av flammen

Flammen kan justeres ved å flytte på metallskiven på toppen av brenneren. Dersom man ønsker en mindre flamme må metallskiven trekkes over brenneren, slik at størrelsen på åpningen reduseres.

Mindre åpning = Mindre flamme
Større åpning = Større flamme

Merk: Ikke alle etanolbrennere lar deg justere flammen.

Slå av bioetanolpeisen

ADVARSEL: Slå aldri av flammen ved bruk av vann.

For å slå av bioetanolpeisen må metallskiven på toppen av brenneren dras over brenneren for å stenge for oksygentilførselen. Den beste måten å gjøre dette på er å åpne brenneren helt og deretter raskt dra metallskiven over brennerens åpning, i en flytende bevegelse.

Vedlikehold

Når biopeisen er jevnlig i bruk kan det forekomme misfarging på den øvre siden av etanolbrenneren. Dette er normalt og forringer ikke kvaliteten på produktet. Unngå å bruke slipende produkter til rengjøring av biopeisen og etanolbrenneren. Rengjør overflaten med en fuktig klut eller ikke-slipende rengjøringsmidler for rustfritt stål. Glass kan rengjøres ved å bruke rengjøringsmidler for keramiske kjøkkenkomfyrer.

Ventilasjon av rommet

Når en bioetanolpeis brukes i lukkede rom bør det sørges for tilstrekkelig ventilasjon. Dette kan oppnås ved å åpne et vindu eller ved et ventilasjonsanlegg.

I tillegg stilles det flere krav i forhold til romstørrelse versus størrelsen på etanolbrenneren. Se tabellen nedenfor:

Brennerbredde	Romstørrelse
30-45 cm.	20-25 m ²
60-90 cm.	35 m ²
100-120 cm.	40 m ²
150 cm.	45 m ²
180 cm.	50 m ²

Bordmodeller og veggmonterte peiser med mindre brenner kan brukes i rom som er mindre enn 25m².

I tabellen over er det ikke tatt hensyn til takhøyde. I rom med større takhøyde kan den anbefalte romstørrelsen reduseres.

Dersom du har ytterligere spørsmål angående romstørrelse og etanolpeiser, vennligst kontakt din peis forhandler.

FEILSØKING

Problem	Mulig årsak	Løsning
Forekomst av sot.	Feil brensel.	Bruk kun bioetanol med 96-97,5% alkohol.
Forekomst av sot.	Brennerens åpning er dekket av pyntegjenstander.	Fjern pyntegjenstandene fra brennerens åpning.
Brenntid er for kort.	Feil brensel.	Bruk kun bioetanol med 96-97,5% alkohol.
Brenntid er for kort.	Peisen er utsatt for trekk.	Flytt peisen og/ eller forhindre trekk.
Flammer er for høye	Feil brensel eller trekk.	Bruk kun bioetanol med 96-97,5% alkohol. Unngå trekk!
Flammer er blå/ ikke synlige.	Lite bioetanolbrensel.	Slå av brenneren. La den avkjøles i minst 15-20 minutter og etterfyll brenneren.
Flammene brenner fortsatt etter at lokket er lukket.		Åpne lokket og lukk det igjen raskt for å stoppe oksygentilførselen.

GARANTI

Din CACH etanolpeis har ett års garanti mot produksjonsfeil som starter fra kjøpsdato. Kontakt din forhandler ved problemer.

Garantien er kun gyldig dersom et datert kjøpsbevis kan fremvises og er strengt begrenset til anerkjente defekte deler.

Ved tilfeller av skader vil installasjonskostnadene under ingen omstendigheter bli refundert. Producenten kan ikke holdes ansvarlig for direkte eller indirekte feil som skyldes personer og eiendom.

Garantien vil bli kansellert hvis peisen har blitt misbrukt eller brukt til andre formål enn det som den er produsert til. Garantien vil også bli frafalt ved forringing eller ulykke som oppstår etter uaktsomhet, dårlig vedlikehold eller endring av deler.

Gebrauchsanleitung und Sicherheitshinweise für CACH- Bioethanol Kamine und Brennkammern.

Diese Anleitung sollte so lange aufbewahrt und behalten werden, wie das zugehörige Produkt in Ihrem Besitz ist. Stellen Sie sicher, dass diese Anleitung bei einem Weiterverkauf weitergegeben wird.

Bioethanol Kamine sollten AUSSCHLIEßLICH von verantwortungsbewussten Erwachsenen, die diese Anleitung sowohl gelesen als auch verstanden haben, operiert und benutzt werden.

WICHTIG

- CACH Bioethanol Kamine sind reine Dekorationsobjekte und somit keine primäre Wärmequelle. Sie sollten sich vorher mit relevanter Gesetzgebung vertraut machen.
- Bioethanol ist eine gefährliche Substanz mit einem „Hazard Level“ (Gefahrenfaktor/Level) von 3, siehe UN 1987.
- Machen Sie sich möglichst mit nationalen und ggf. regionalen Regeln und Regularien zur sicheren Aufbewahrung von Treibstoffen bekannt.
- CACH Bioethanol Kamine und Brennkammern sind nur für die vom Hersteller angegebenen Zwecke zu verwenden. Anderweitige Nutzung und Nutzung als offene Feuerstelle sind nicht erlaubt.
- Manuell betriebene Bioethanol Kamine und Brennkammern sind mit dem dazu vorgesehenen Flammenlöscher zu löschen.
- Automatische Bioethanol Kamine und Brennkammern sollten mit der dafür vorgesehenen Funktion gelöscht werden, die auf der Fernbedienung oder direkt am Gerät aktiviert werden kann.
- Die Bioethanol Brennkammern und der Bioethanol Kamin dürfen nicht überfüllt werden, da es sonst zur Verschüttung von Bioethanol kommen kann, was wiederum zu unkontrollierbaren Bränden führen kann.
- Verschüttetes Bioethanol muss vor Inbetriebnahme der Brennkammer oder des Kamins restlos entfernt werden.
- Der Bioethanol Kamin und die Bioethanol Brennkammern darf in keiner Weise verändert oder modifiziert werden.
- Bioethanol darf NIEMALS nachgefüllt werden, während der Kamin bzw. die Brennkammern noch heiß es. Es besteht Explosionsgefahr.
- Vermeiden sie den physischen Kontakt mit Bioethanol.
- Die Flammen sollten niemals die Innenseite des Einsatzes berühren.
- Vermeiden Sie den physischen Kontakt mit Bioethanol.
- Kinder und Haustiere sollten zu jederzeit einen ausreichenden Sicherheitsabstand zum Kamin bzw. zur Brennkammer einhalten.
- Die Außenseite des Kamins bzw. der Brennkammer wird im Betrieb schnell heiß. Seien Sie daher aufmerksam bei der Handhabung des Kamins.
- Menschen die unter Einfluss von Alkohol, Drogen oder Medikamenten stehen, sollten den Bioethanol Kamin nicht operieren. Dies gilt auch für Menschen mit physischen und psychischen Beeinträchtigungen.
- Seien Sie extra vorsichtig, wenn Sie brennbare Kleidung tragen oder langes Haar haben.
- Es sollte keine Luft in den Bioethanol-Kamin gepustet werden.
- Lassen Sie einen brennenden Bioethanol-Kamin niemals unbeaufsichtigt.
- Vermeiden Sie es brennbare Materialien wie Papier, Pappe, Stoffe oder ähnliches auf oder um den Bioethanol-Kamin herum zu platzieren.

- Die Öffnung des Bioethanol Kamins und der Brennkammer sollten geschlossen bleiben, wenn diese nicht in Betrieb sind.
- Jegliches Verbrennen von Materialien die nicht Bioethanol sind, ist strikt untersagt.
- Verwenden Sie nur Bioethanol mit einem Alkoholgehalt von mindestens 96% und maximal 97,5%. Wir empfehlen den Gebrauch unseres Bioethanols mit einem Alkoholgehalt von 96,6%.
- Es wird empfohlen einen Feuerlöscher oder eine Löschdecke in Reichweite des Bioethanol Kamins zu platzieren.
- Bioethanol Brennkammern und Kamine sind nicht für den non-stop Betrieb geeignet.
- Der Kamin und die Brennkammer sollten einen Mindestsicherheitsabstand von 50 cm zu brennbaren Materialien und einen Mindestsicherheitsabstand von einem Meter zu Vorhängen und ähnlichem einhalten.



Der schnelle und einfache Zugang zu einer Löschdecke ist empfohlen.



Der schnelle und einfache Zugang zu einem Feuerlöscher ist empfohlen.



Konzipiert zur häuslichen Dekoration.



Die Gebrauchsanweisung sollte vor Installation und Inbetriebnahme gelesen und verstanden werden.



Verwenden Sie nur von der Gebrauchsanweisung empfohlene Brennstoffe.



Darf nur in gut gelüfteten Räumen betrieben werden.

MONTAGE UND INSTALLATION

Generelle Regeln zur Installation

- Ein Minimum von zwei Leuten ist zur Montage und Installation empfohlen.
- Vergewissern Sie sich, dass die Oberfläche auf der der Bioethanol Kamin / Brennkammer platziert werden soll sowohl feuerfest ist, als auch das Gewicht des Kamins/Brennkammer tragen kann.
- Vergewissern Sie sich, dass der Bioethanol Kamin eben ist. Auf diese Weise kann kein Bioethanol überlaufen.
- Halten Sie einen 1-Meter Abstand zu entflammenden Objekten. Halten Sie flammable Objekte fern vom Bioethanol Kamin.
- Platzieren Sie keine brennbaren Objekte auf dem Bioethanol Kamin.
- Vermeiden Sie es den Bioethanol Kamin neben oder auf einer Fensterbank zu platzieren.
- Um die Rußproduktion zu minimieren, sollte der Bioethanol Kamin in einem Raum platziert werden, in dem es möglichst keine bis wenig Zugluft gibt. Es ist dennoch wichtig, dass der Raum in dem der Bioethanol Kamin betrieben wird, gut gelüftet ist.

Wand-montierte Bioethanol Kamine

Es ist wichtig die beigelegte Montageklammer/Halterung zu verwenden, da diese einen Sicherheitsabstand zwischen Wand und Kamin schafft und damit die Rückseite des Kamins durch einen leichten Luftstrom kühlt. Die Platzierung der Löcher und die Form der Montagehalterung kann je nach Kamin leicht variieren.

Vorgehensweise:

1. Montieren Sie als erstes die oberste Halterung. Es wird empfohlen die Halterung an den Trägern in der Wand zu befestigen. Falls Ihre Wand solche Träger nicht besitzt, sollten Rigips-Wände auch ausreichen. Stellen Sie sicher, dass die Halterung grade angebracht wird. Bohren Sie nun ein Loch in die Wand. Setzen Sie nun Dübel in die gebohrten Löcher ein und schrauben Sie die Halterung fest.
2. Falls Ihrem Kamin vertikale Halterungen beigelegt sind, sollten diese nun montiert werden. Die Halterungen werden an die horizontale Halterung gehängt. Sie müssen sicherstellen, dass auch diese grade sind und danach Löcher zum Bohren markieren. Bohren Sie die Löcher in die Wand und befestigen Sie nun die vertikalen Halterungen.
3. Nun kann der Bioethanol Kamin an die Wand gehängt werden. Vergewissern Sie sich, dass die Löcher auf der Rückseite des Kamins in die horizontale Halterung greifen. Nun sollte das Gewicht des Kamins von den vertikalen Halterungen getragen werden.
4. Sichern Sie nun den Bioethanol Kamin in dem Sie den Kamin an der Unterseite mit der vertikalen Halterung verschrauben.
5. Vergewissern Sie sich zum Schluss, dass der Bioethanol Kamin wirklich fest an der Wand befestigt ist, bevor Sie ihn mit Bioethanol befüllen.

Decken-montierte Bioethanol Kamine

Es ist wichtig, immer die mitgelieferte Deckenhalterung zu verwenden. Die Ausstattung kann je nach Kaminmodell leicht variieren.

Vorgehensweise:

1. Vergewissern Sie sich, dass die Decke das Gewicht des Kamins tragen kann.
2. Montieren Sie die Kaminhalterung an der Decke.
3. Befestigen Sie den Kamin an der Halterung.
4. Vergewissern Sie sich, dass der Kamin ordnungsgemäß und fest an der Decke montiert ist, bevor Sie ihn mit Bioethanol befüllen.

Freistehende Bioethanol Kamine

Fast alle freistehenden Bioethanol Kamine sind schon bei Auslieferung fertig zusammengebaut. Bei manchen Modellen muss dennoch vor der Inbetriebnahme ein Sicherheitsglas am Kamin befestigt werden.

Es wird nicht empfohlen, einen freistehenden Kamin direkt auf einem Teppich zu platzieren.

Vorgehensweise:

1. Packen Sie den Kamin aus und entfernen Sie die Verpackung.
2. Falls bei Ihrem Modell ein Sicherheitsglas mitgeliefert wird, können Sie der Gebrauchsanweisung entnehmen, wie dieses zu befestigen ist.
3. Platzieren Sie den freistehenden Kamin an Ihrem Wunschort.
4. Vergewissern Sie sich, dass der Bioethanol Kamin sicher steht, bevor Sie ihn mit Bioethanol befüllen.

Bauen Sie Ihren eigenen Kamin mit einer Bioethanol Brennkammer

Bei dieser Variante gibt es viele Möglichkeiten und nur die Fantasie setzt Grenzen. Dennoch empfehlen wir Ihnen, beim Bau eines solchen Kamins nur feuerfeste Materialien zu verwenden und folgende Sicherheitsabstände einzuhalten:

- 50 cm freier Platz über der Brennkammer.
- 5-10 cm freier Platz zu beiden Seiten der Brennkammer.
- 10 cm freier Platz vor und hinter der Brennkammer.
- 1 Meter zu brennbaren Materialien.

BEDIENUNG UND HANDHABUNG EINES BIOETHANOL KAMINS

Befüllen von Bioethanol

ANMERKUNG: Das Auffüllen eines Kamins mit Bioethanol kann gefährlich sein, wenn Sie den Anweisungen in dieser Anleitung nicht folgen!

WARNUNG: Füllen Sie niemals Bioethanol in einen brennenden Bioethanol Kamin.

WARNUNG: Lassen Sie den Bioethanol Kamin mindestens 15-20 Minuten lang abkühlen (wir empfehlen 30 Minuten), bevor Sie den Kamin wieder auffüllen.

Vorgehensweise:

1. Vergewissern Sie sich, dass der Bioethanol Kamin nicht an ist und dass der Kamin auf Zimmertemperatur runtergekühlt ist. Falls Sie der Kamin grade in betrieb war und Sie ihn wieder auffüllen möchten, müssen Sie mindestens 15-20 Minuten warten.
2. Vergewissern Sie sich nochmals, dass der Bioethanol Kamin wirklich zu 100% heruntergekühlt ist.
3. Ein manueller Bioethanol Kamin wird direkt durch die Öffnung der Brennkammer aufgefüllt. (Automatische Kamine haben einen separaten Tank hierfür) Wir empfehlen Ihnen entweder einen Trichter oder eine Bioethanol Pumpe beim Auffüllen zu verwenden.
4. Füllen Sie nun vorsichtig und langsam das Bioethanol in die Brennkammer des Kamins. Achten Sie hierbei darauf nicht über die Maximalstand-Anzeige zu füllen.
5. Die Keramikwolle im Inneren der Brennkammer des Kamins saugt ein Teil des Bioethanols auf. Sobald die Keramikwolle sich vollgesogen hat und die Maximalstand-Anzeige erreicht ist, können Sie aufhören Bioethanol in die Kammer zu füllen. Natürlich können Sie auch schon vorher aufhören, je nachdem wie viel Bioethanol Sie brauchen.
7. Vergewissern Sie sich, dass Sie kein Bioethanol verschüttet haben. Falls etwas danebengegangen ist, sollte das Verschüttete restlos entfernt werden.
8. Bevor Sie nun den Bioethanol Kamin anzünden, sollte der Kanister bzw. die Flasche mit dem Bioethanol wieder verschlossen und verstaubt werden.



Der Bioethanol Kamin darf niemals überfüllt werden



Schütten Sie niemals Bioethanol auf einen brennenden Bioethanol Kamin



Schütten Sie niemals Bioethanol auf einen noch warmen Bioethanol Kamin

INFOS ÜBER BIOETHANOL

**Verschüttetes Bioethanol kann Flecken auf Parkettböden verursachen.
Bioethanol darf nur bei Zimmertemperatur gelagert werden, um spontanes
entzünden zu vermeiden.
Bioethanol muss in einem ausreichenden Abstand zum Bioethanol Kamin gelagert werden.**

Den Bioethanol Kamin entzünden

Nachdem der Bioethanol Kamin gemäß den oben beschriebenen Richtlinien mit Bioethanol aufgefüllt worden ist, ist Kamin bereit um entzündet zu werden.

Vorgehensweise:

1. Vergewissern Sie sich, dass sich keine entflammaren Materialien rund um den Kamin befinden.
2. Öffnen Sie die Brennkammer indem Sie die Metallabdeckung von der Öffnung entfernen.
3. Entzünden Sie nun das Bioethanol im Inneren der Brennkammer mit Hilfe eines Stabfeuerzeuges oder eines Streichholzes.

Die Flammengröße regulieren

Die Flamme des Bioethanol Kamins kann reguliert werden, indem Sie die Metallabdeckung auf der Brennkammer vor- und zurückschieben. Je weiter Sie die Abdeckung zu sich hinziehen, desto kleiner wird die Flamme, da sie weniger Luft bekommt. Wenn Sie die Abdeckung wieder weiter von sich wegschieben, wird die Flamme dementsprechend größer.

Anmerkung: Nicht alle Bioethanol Brennkammern erlauben es die Größe der Flamme zu regulieren.

Das Löschen des Bioethanol Kamins

WARNUNG: Die Flamme darf NIEMALS mit Wasser gelöscht werden.

Um die Flamme des Bioethanol Kamins zu löschen, ziehen Sie ganz einfach die Metallabdeckung der Brennkammer mit Hilfe des dazu beigelegten Werkzeuges ganz zu sich hin, bis die Öffnung der Brennkammer vollständig bedeckt ist. Auf diese Weise ersticken Sie die Flamme, da Sie so die Sauerstoffzufuhr unterbinden.

Wartung und Instandhaltung

Wenn Sie Ihren Bioethanol Kamin oft benutzen, kann es sein, dass die Farbe an der Oberseite des Kamins langsam verblasst. Dies ist ganz normal und mindert nicht die Haltbarkeit oder Festigkeit des Kamins. Vermeiden Sie es zur Reinigung Scheuermittel oder Mittel die mechanischen Abrieb erzeugen zu verwenden. Reinigen Sie die Oberfläche des Kamins mit einem weichen Lappen oder Tuch oder nicht-scheuerndem Reiniger für rostfreien Edelstahl. Falls Ihr Kamin über gläserne Elemente verfügt, können diese mit herkömmlichen Herdreiniger oder Glasreiniger gesäubert werden.

Belüftung des Raums

Wenn ein Bioethanol Kamin in geschlossenen Räumen betrieben wird, ist eine ausreichende Zufuhr von Frischluft erforderlich. Dies kann entweder durch das Öffnen von Fenstern oder durch Ventilatoren erreicht werden.

Die Raumgröße und die Größe des Bioethanol Kamins gehen Hand in Hand. Hier sehen Sie eine Tabelle über Kamingrößen und die für diesen Kamin empfohlene Raumgröße.

Größe der Brennkammer	Raumgröße
30-45 cm.	20-25 m ²
60-90 cm.	35 m ²
100-120 cm.	40 m ²
150 cm.	45 m ²
180 cm.	50 m ²

Tisch- und Wandmontierte Kamine mit kleineren Brennkammern können auch in Räumen mit weniger als 25 m² betrieben werden.

In der oben gezeigten Tabelle wurde die Deckenhöhe des Raumes nicht berücksichtigt. In Räumen mit einer großen Deckenhöhe, können unter Umständen auch größere Kamine stehen, obwohl die Quadratmeterzahl nicht unbedingt höher ist. Wichtig ist aber dennoch eine ausreichende Ventilation.

Falls Sie weitere Fragen in Bezug auf Raumgröße und Bioethanol Kamine haben, wenden Sie sich bitte an Ihren Kamin Händler.

PROBLEMBEHANDLUNG

Problem	Mögliche Ursache	Lösung
Das Auftreten von Ruß.	Verkehrtes Brennmaterial.	Verwenden Sie nur Bioethanol mit einem Alkoholgehalt zwischen 96% und 97,5%.
Das Auftreten von Ruß.	Die Öffnung der Brennkammer ist mit Dekoration bedeckt.	Entfernen Sie jegliche Dekoration von der Öffnung der Brennkammer.
Die Brenndauer ist zu kurz.	Verkehrtes Brennmaterial.	Verwenden Sie nur Bioethanol mit einem Alkoholgehalt zwischen 96% und 97,5%.
Die Brenndauer ist zu kurz.	Der Kamin ist Zugluft ausgesetzt.	Ändern Sie die Position des Kamins oder verhindern Sie Zugluft.
Die Flammen sind zu hoch.	Verkehrtes Brennmaterial oder Zugluft.	Verwenden Sie nur Bioethanol mit einem Alkoholgehalt zwischen 96% und 97,5%.
Die Flammen sind blau / nicht sichtbar.	Das Bioethanol im Inneren der Brennkammer geht zu neige.	Löschen Sie den Kamin/Brennkammer. Lassen Sie die Kammer mindestens 15-20 Minuten lang abkühlen. Danach kann die Kammer wieder aufgefüllt werden.
The Flammen brennen weiter, obwohl die Abdeckung der Brennkammer geschlossen wurde.		Öffnen Sie die Abdeckung and schließen Sie sie schnell wieder um die Sauerstoffzufuhr zu unterbinden.

GARANTIE

Ihr CACH Bioethanol Kamin verfügt über eine 1-jährige Garantie gegen Herstellungsfehler. Die Garantie tritt am Datum des Kaufs in Kraft. Bei Probleme kontaktieren Sie bitte Ihren Händler.

Die Garantie ist nur gültig bei Vorlage eines gültigen Kaufbelegs und limitiert sich strikt auf anerkannt defekte Teile.

Defekte die bei Montage oder Installation auftreten, werden unter keinen Umständen erstattet oder refundiert. Der Hersteller kann unter keinen Umständen für unsachgemäßen Umgang verantwortlich gemacht werden.

Die Garantie erlischt, wenn der Bioethanol Kamin oder die Bioethanol Brennkammer unsachgemäß behandelt oder für vom Hersteller nicht vorhergesehen Absichten zweckentfremdet wird. Außerdem erlischt die Garantie bei Modifikation, Fahrlässigem Umgang oder schlechter Instandhaltung von Einzelteilen.

CACHPejse 