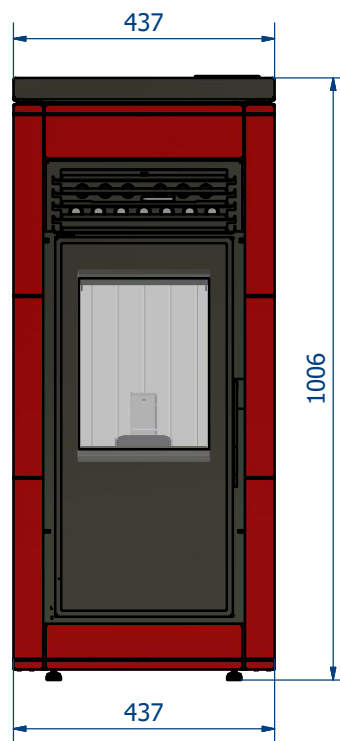
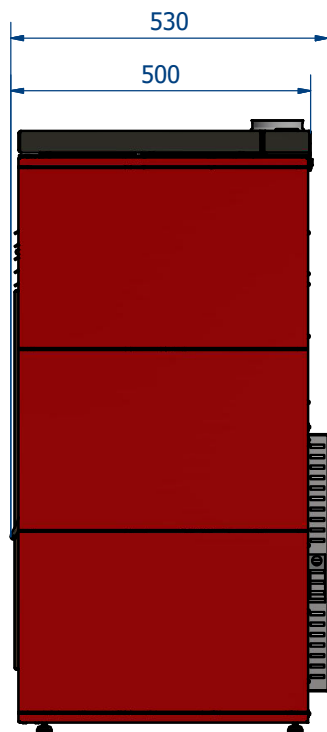


AIR

Venus 8 **A+**

www.ferlux.es

CHIMENEAS Y BARBACOAS FERLUX, S.A.
POLIG. INDUST. EL POLEAR, PARC. 1
29313 VILLANUEVA DEL TRABUCO MALAGA (ESPAÑA)
TEL. +34 952 03 11 17 FAX +34 952 03 11 18



Imperial red



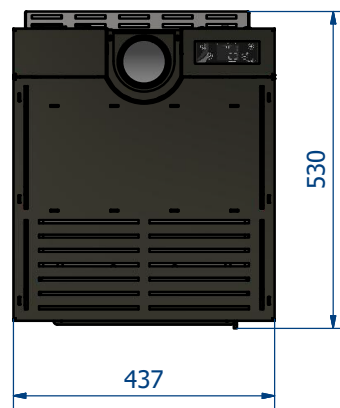
White-pearl



Marrom Vintage



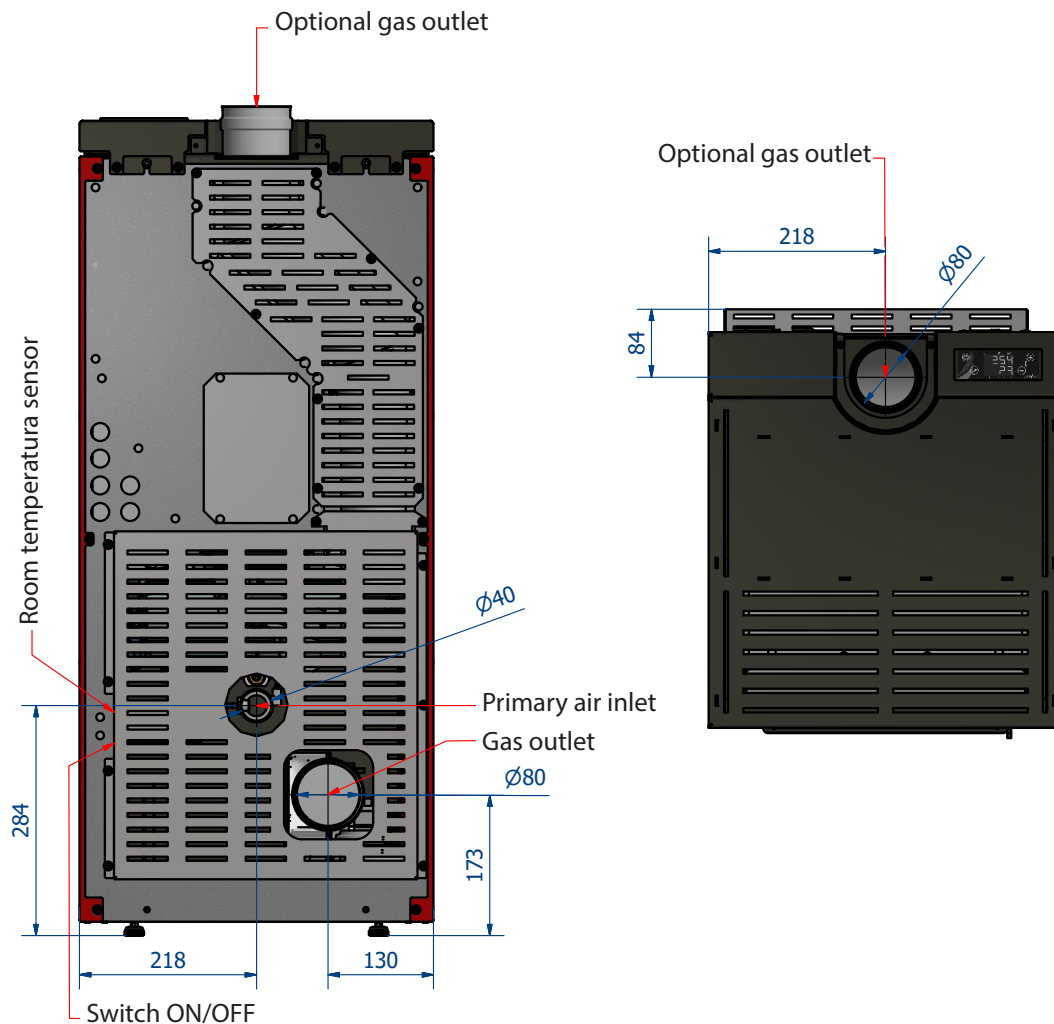
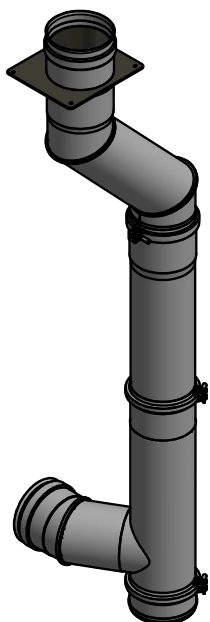
Black



CHIMENEAS Y BARBACOAS FERLUX, S.A.
 POLIG. INDUST. EL POLEAR, PARC. 1
 29313 VILLANUEVA DEL TRABUCO MALAGA (ESPAÑA)
 TEL. +34 952 03 11 17 FAX +34 952 03 11 18

Optional accessory:

Vertical gas outlet



Technical data

RATED THERMAL POWER	8,2 KW
AMBIENT THERMAL POWER	8,2 KW
REDUCED THERMAL POWER	2,8 KW
PERFORMANCE P.T.RATED*	88%
PERFORMANCE P.T.REDUCED,**	94%
CONSUMPTION (MIN-MAX)	0,6 KG · 1,9 KG
AUTONOMY (MIN-MAX)	35 · 11 HOURS
EMISSIONS CO TO 13% DE O ₂ (P.T.N. · P.T.R.)	0,01% · 0,04%
PARTICULATE · OGC · NOX (13% O ₂ mg/Nm ³)	10 · 8 · 134
TEMPERATURA OF SMOKES (P.T.R. · P.T.R.)	142 °C · 62 °C
HEATABLE VOLUME	195 M ³
DIAMETER OF SMOKE OUTLET	80 MM
DIAMETER OF PRIMARY AIR INLET	40 MM
WEIGHT	103 KG
TANK CAPACITY	21 KG

Electrical requirements

POWER SUPPLY	220 · 230 V
FREQUENCY	50 · 60 Hz
ELECTRICAL POWER TURNED ON	300 W
AVERAGE POWER ABSORBED	60 W

AIR

Venus 8 **A+**

www.ferlux.es

DETAIL OF SLIDE COVER:

CHIMENEAS Y BARBACOAS FERLUX, S.A.
POLIG. INDUST. EL POLEAR, PARC. 1
29313 VILLANUEVA DEL TRABUCO MALAGA (ESPAÑA)
TEL. +34 952 03 11 17 FAX +34 952 03 11 18

